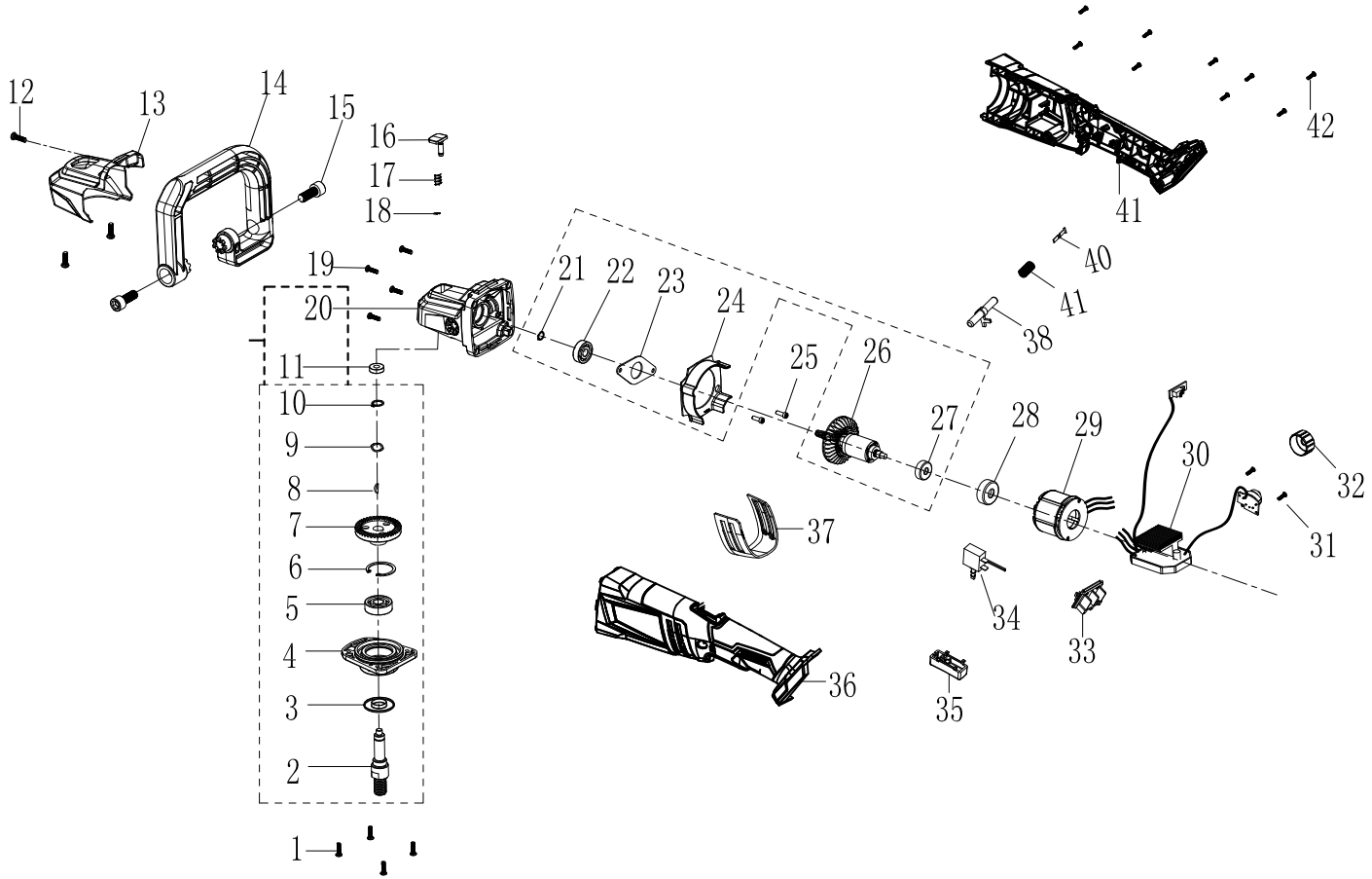


Exploded view of cordless polisher RDP-SPC20



1	Hexagon Socket Head Screws with Spring Cushion (M4*10)	4	30	The main control board	1
2	The output shaft	1	31	Tapping screw	2
3	Dust washer	1	32	Speed control knob	1
4	Head cover	1	33	stents	1
5	bearing	1	34	switch	1
6	The hole with elastic retaining ring	1	35	The switch handle	1
7	Big gear	1	36	Bottom of chassis	1
8	Woodruff key	1	37	Dust cover	1
9	The waves gasket	1	38	Switch self-locking lever	1
10	Elastic retaining ring for shaft	1	39	Reset spring	1
11	bearing	1	40	shrapnel	1
12	Plum grooved pan head tapping screws	1	41	cover	1
13	Protective sleeve	1	42	Tapping screw	9
14	Type D handle	1			
15	Hexagon socket screw	2			
16	Shaft lock knob	1			
17	Since the spring lock	1			
18	Φ 5-axis clamp spring (opening)	1			
19	Plum grooved pan head tapping screws	1			
20	Head and shell	1			
21	Φ 10 axial spring	1			
22	bearing	1			
23	Bearing pressure plate	1			
24	Wind deflector	1			
25	Cross recessed pan head tapping screws	2			
26	Brushless motor rotor	1			
27	697-Z ball bearing HCH	1			
28	Bearing sleeve	1			
29	Brushless motor stator	1			

spare parts of cordless polisher RDP-SPC20